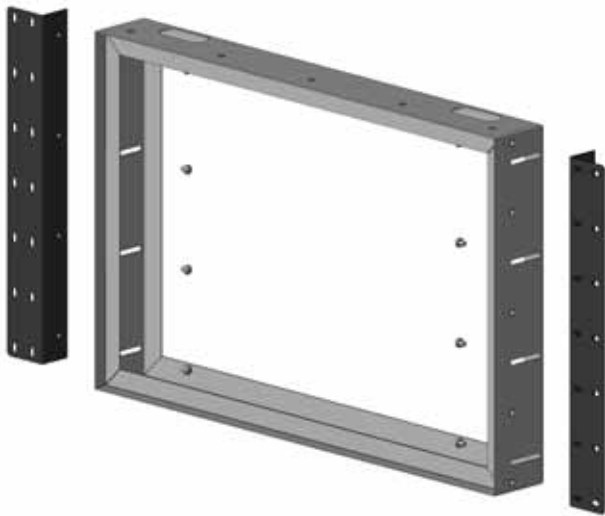


The First Fix Kit for the TileVision® TV/22/BA2 consists of the parts as shown below:



- 1 *Stainless steel back box with mounting brackets and captive earthing straps.*

Ten machine screws to fasten the mounting brackets to the back box are also included.

Note: only eight machine screws are required for the 22" TileVision®.



- 2 *AC to DC power supply with 4 metres of cable and a mains lead complete with a UK 3-pin plug.*



- 3 *One ceiling/wall mount water resistant stereo speaker with speaker grille and 4.5 metres of 4-core colour coded cable.*



Porter Lancastrian Limited

Lower Healey Business Park · Froom Street · Chorley
Lancs · UK · PR6 9AR

Tel: 0870 871 0111 · Fax: 0870 871 0112

eMail: sales@porta.co.uk · Web: www.tilevision.tv